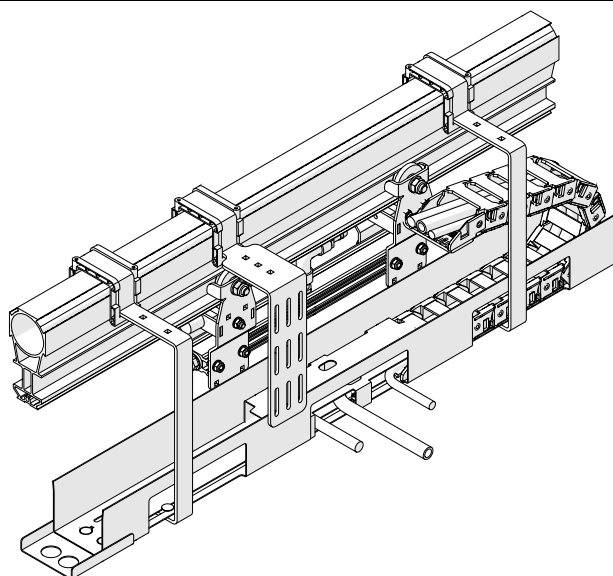


Besta'Power

Energy Guiding Chain W⁵-traxX

Order No.

0489xx-xxxx



Contents

	Page
1 General Notes	2
2 Safety Instructions	2
2.1 Explanation of Symbols	2
2.2 General Safety Regulations and Organization	3
2.3 Specific Hazards	3
2.3.1 Electrical Hazards and Sources of Danger	3
2.3.2 Mechanical Hazards and Sources of Danger	3
3 Installation	4
3.1 Preparations	4
3.2 Mounting Bracket	5
3.3 Guide Channel	5
3.4 Connecting Plate	6
3.5 Energy Guiding Chain	6
3.6 Equipment Carrier	7
3.7 Connecting the Power Supply	8
4 Commissioning	9

1 General Notes

The instructions are a part of the device, and must be kept accessible to personnel at all times. Before starting work, operating personnel must read this manual carefully and understand it.

All products are subject to technical modifications in the context of improvement of function and further development.

2 Safety Instructions

The basic prerequisite for safe work is compliance with all safety and operating guidelines.

Local accident protection regulations and general safety guidelines for the area of use of the device also apply.

2.1 Explanation of Symbols

Safety instructions are identified in these instructions by symbols. Signal words are used to indicate the degree of hazard in these safety instructions. Always observe safety and hazard information and work carefully to avoid accidents, bodily harm or property damage!



WARNING!

... indicates a possibly hazardous situation, which if not avoided, may result in death or serious injury.



WARNING!

... indicates a possibly hazardous situation due to electrical current, which if not avoided, may result in death or serious injury.



CAUTION!

... indicates a possibly hazardous situation, which if not avoided, may result in moderate or minor injury and property damage.

2.2 General Safety Regulations and Organization

In addition to the assembly instructions, general regulations regarding accident prevention and environmental protection are to be observed.

- Assembly, commissioning, maintenance and operation must be performed by sufficiently qualified and trained specialists.
- The assembly, maintenance and operational personnel must have read and understood the maintenance/assembly instructions and the safety regulations in particular. Protective equipment, such as protective gloves, safety shoes, work clothes and safety helmet, must be provided and worn.
- The system operator or his/her representative must supervise machine operation to ensure that personnel use caution when working on or with the system.

2.3 Specific Hazards

- Comply with safety and warning instructions to reduce health hazards and to avoid dangerous situations.

2.3.1 Electrical Hazards and Sources of Danger

Danger of death by electrical shock

Live components and components that have become energized due to a malfunction can result in serious injury or death when touched.

Danger of injury by falling or being thrown after an electrical shock

- Installation, commissioning, maintenance, troubleshooting and decommissioning must be carried out by qualified electricians
- The power supply must be disconnected and locked off before starting any work on the energy guiding chain
- Electrical protection and grounding must be regularly checked by qualified electricians

2.3.2 Mechanical Hazards and Sources of Danger

Danger of crushing from moving components!

- Careless operation of the equipment carrier can cause skin and fingers to be crushed.
- Do not reach into the chassis and rail area during movements
 - Wear protective gloves

Risk of injury from falling or slipping!

- There is a risk of slips and falls if the workspace is not free of obstacles and/or the adhesion of the floor is insufficient.
- Use robust, functioning ladders
 - Always keep the workspace free of obstacles
 - Keep the workspace clean

3 Installation



WARNING!

Danger of death by electrical shock!

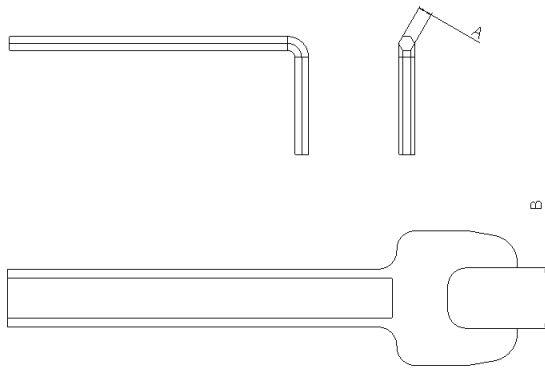
Live components and components that have become energized due to a malfunction can result in serious injury or death when touched.

- Installation, commissioning, maintenance, troubleshooting and decommissioning must be carried out by qualified electricians
- The powers supply must be disconnected and locked off before starting any work on the energy guiding chain
- Electrical protection and grounding must be regularly checked by qualified electricians

3.1 Preparations

Tools needed:

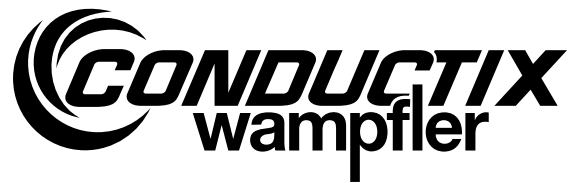
Installing the connecting plate	Pliers
Installing the guide channel	Open-ended spanner, SW10
Installing the energy guiding chain and equipment carrier	Open-ended spanner, SW10; internal hex wrench, SW5



Dim.	Wrench width	Tightening torque [Nm]
A	5	11.3
B	10	11.3

Fig. 1: Internal hex key (A) and open-ended wrench (B), spanner width

Installation Instructions



Besta'Power

Energy Guiding Chain W⁵-traxX

3.2 Mounting Bracket

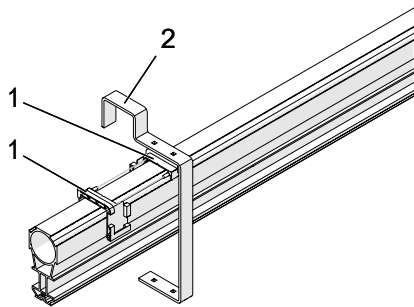


Fig. 2: Clip holder (1) onto profile

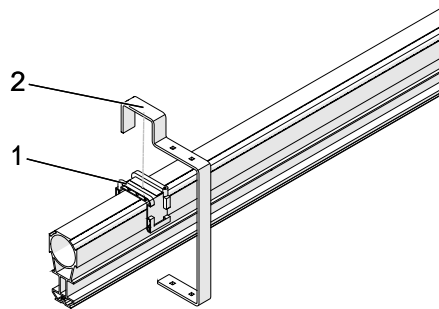


Fig. 3: Holder (1) installed, press mounting bracket onto holder(2)

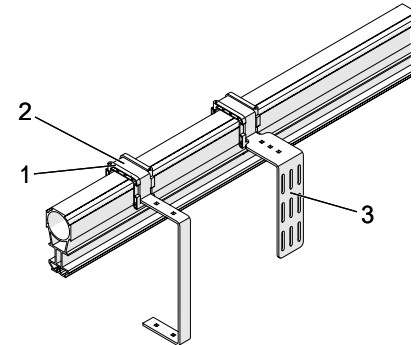


Fig. 4: Fasten plate for cable routing (3)

- Clip the holder (1) onto the profile
- Install the holder so that the pins are opposed to the matching holes. Push the two holders together
- Press the mounting bracket (Item 2) onto the holder from above
- Fasten the plate for cable routing (Item 3) in the same way

3.3 Guide Channel

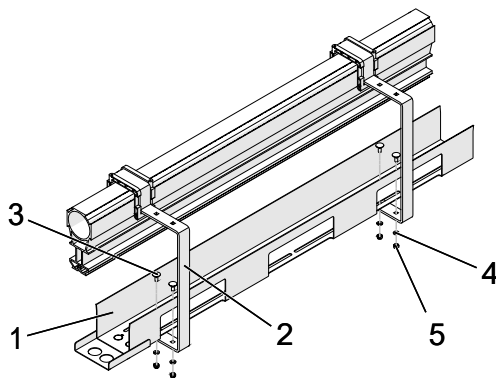
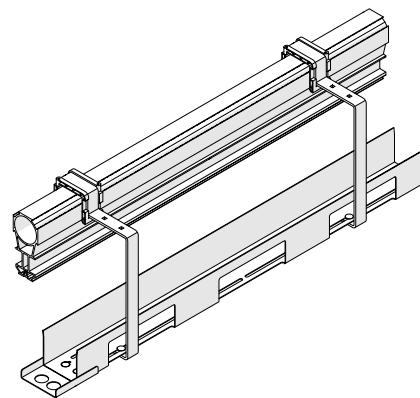


Fig. 5: Fastening the guide channel



- Fasten the guide channel (1) to the mounting bracket (2)

Fastening materials:

- DIN 603 round-headed bolts, M6x16 (3)
- DIN 125 washers, A6.4 (4)
- DIN 985 securing nuts, M6 (5)

- Connect the guide channels, see Section 3.4

Besta'Power

Energy Guiding Chain W⁵-traxX

3.4 Connecting Plate

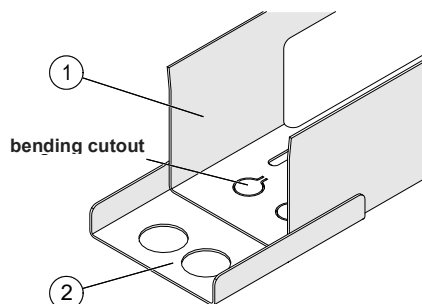


Fig. 6: Align the guide channel (1) and connecting plate (2)

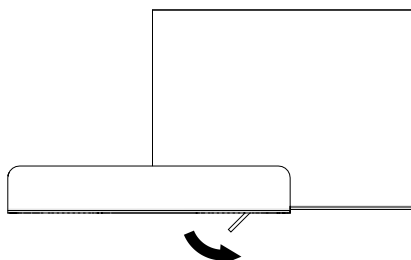


Fig. 7: Push the bending cutout through...

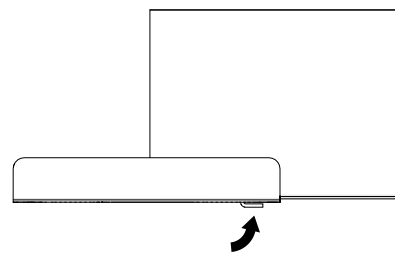


Fig. 8: ...and bend it back

→ Locate the bending cutouts of the guide channel (1) over the holes in the connecting plate (2)

→ Use pliers to fold the bending cutouts down

3.5 Energy Guiding Chain

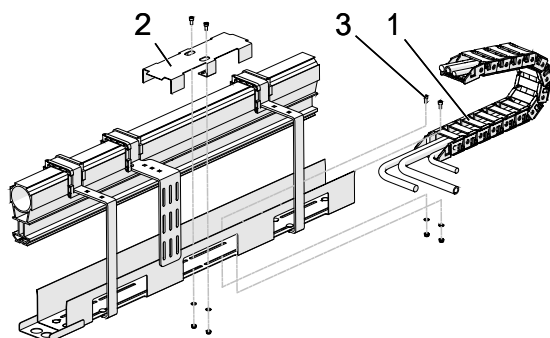


Fig. 9: Screw the energy guiding chain (1) and traversing aid

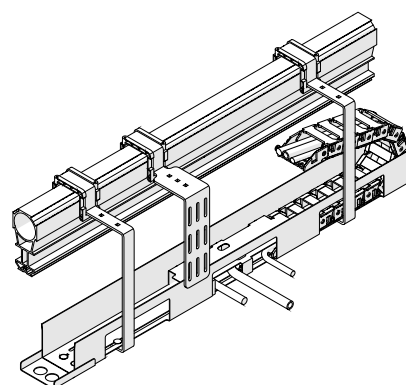


Fig. 10: Energy guiding chain and traversing aid installed in guide channel

→ Place the energy guiding chain (1) in the guide channel and fix with screws.

Fastening materials:

- DIN 912 socket-head cap screws, M6x12 (3)
- DIN 125 washers, A6.4
- DIN 985 securing nuts, M6

→ Install the traversing aid (2) in the guide channel. For this, use the same fastening materials as for the energy guiding chain

3.6 Equipment Carrier



WARNING!

Danger of crushing from moving components!

Careless operation of the equipment carrier can cause skin and fingers to be crushed

- Do not reach into the chassis and rail area during movements
- Wear protective gloves

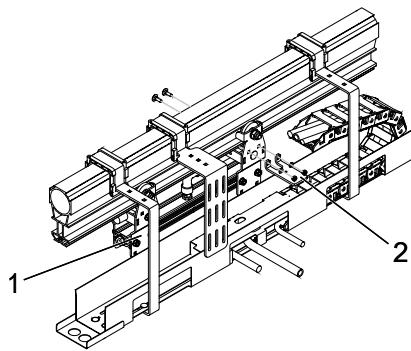


Fig. 11: (1) Equipment carrier (2) follower

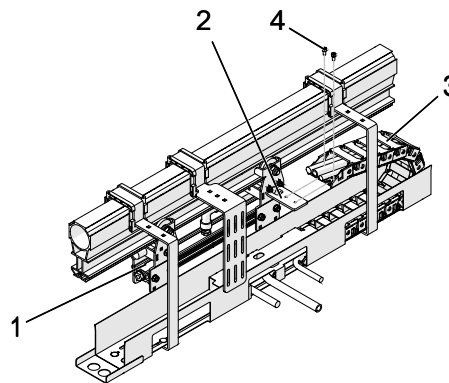


Fig. 12: (3) energy guiding chain
(4) socket-head cap screws

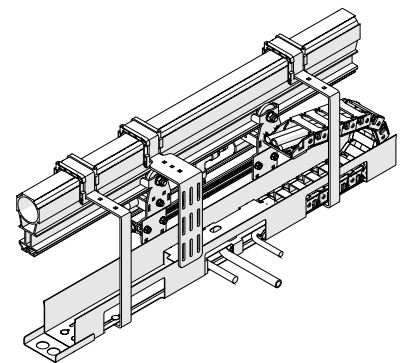


Fig. 13: Energy guiding chain and follower
installed on equipment carrier

- Install the follower (2) on the equipment carrier (1)
- Push the equipment carrier (1) onto the profile
- Screw the follower into the energy guiding chain (3)

Fastening materials:

- DIN 912 socket-head cap screws, M6x12 (4)

3.7 Connecting the Power Supply



WARNING!

Danger of death by electrical shock!

Live components and components that have become energized due to a malfunction can result in serious injury or death when touched.

- Installation, commissioning, maintenance, troubleshooting and decommissioning must be carried out by qualified electricians
- The powers supply must be disconnected and locked off before starting any work on the energy guiding chain
- Electrical protection and grounding must be regularly checked by qualified electricians

- Connect compressed air hose to the ball valve of the profile
- Lay the compressed air hose on the cable-guiding plate and attach with cable ties
- Trim the consumer end of the air hose according to the circumstances and connect it to the consumer
- Connect the cables correctly to the power supply (the cable junction boxes and screw fixings supplied can be used for this)
- Lay the cables correctly between the power-supply interface and chain
- Trim the consumer ends of the cables according to the circumstances and connect it to the consumer
- Lay the cables correctly between the consumer interface and the chain and secure

Arrange the components nozzle (1), hose clamp (2) and hose (3) as shown in Fig. 14:

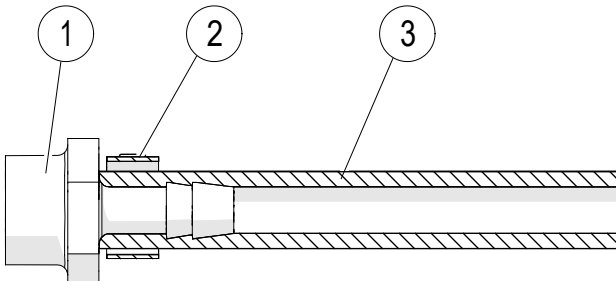


Fig. 14: Nozzle (1), hose clamp (2) and hose (3)



CAUTION!

Risk of damage to the hose!

If the hose clamp is mounted too tightly, the hose will be damaged.

- Tighten the hose clamp only to such an extent that it cannot be moved any longer.

4 Commissioning

WARNING! Danger of death by electrical shock! Switch off the power supply and secure against reconnection.

1. Have the electrical components and electrical protection checked by electricians
2. Check for leaks in the compressed-air system

Conductix-Wampfler GmbH
Rheinstraße 27 + 33
79576 Weil am Rhein - Märkt
Germany

Phone: +49 (0) 7621 662-0
Fax: +49 (0) 7621 662-144
info.de@conductix.com
www.conductix.com

**UK
CA**

Importer for the United Kingdom:
Conductix-Wampfler Ltd.
1, Michigan Avenue
Salford
M50 2GY
United Kingdom

Phone: +44 161 8480161
Fax: +44 161 8737017
info.uk@conductix.com
www.conductix.com