

Jay Radio Remote Controls Orion Series



CONDUCTIX
wampfler

Industrial and multifunction radio remote controls

Orion series

Typical applications:

◆ Industrial equipment

- Cardboard box folding and gluing machines
- Packaging machines
- Wrapping machines
- Dynamic storage
- Conveyors
- Ovens
- Book stitching machines
- Machine control in stepped mode
- Small lifting equipment
- Lift tables

◆ Industrial vehicles

- Milk transport
- Recovery vehicles
- Impoundment vehicles
- Clean-up vehicles
- Vehicle carriers
- Tailgates
- Skips

◆ Farm equipment

- Wine making pumps
- Liquid manure tanks
- Fruit grading machines
- Sprinkling systems
- Debarking machines
- Logging equipment
- Mangers and livestock feeding equipment



◆ Building industry equipment

- Freight elevators
- Concrete mats
- Concrete plants
- Hoppers
- Quarry conveyors
- Asphalt spreader

◆ Infrastructure equipment

- Automatic industrial doors
- Industrial gates
- Industrial drop gates
- Staging equipment
- Signalling
- Industrial lighting
- Industrial production operator calls
- Traffic lights on industrial site
- Sluice gates
- Industrial pressure cleaners



1- Description

■ A radio remote control provides significant advantages:

- Large freedom of movement
- Easy to use
- Precise, quality manoeuvres
- Visibility
- Productivity

■ Jay Electronique's new Orion radio remote control line is designed to satisfy the needs of a wide range of industrial and multifunction applications.

■ The Orion line comprises a broad range of transmitters and receivers, providing different types and numbers of functions, satisfying a variety of requirements.

■ This product line also incorporates numerous features and significant technological breakthroughs:

- European frequency band of 433-434 MHz with 18 possible frequencies
- FM radio link
- Simultaneous commands
- Programming of different functions by jumpers in receiver, or using buttons on transmitter, thus enabling numerous possibilities:
 - programming of identity code,
 - association of transmitter(s) / receiver(s),
 - association of transmitter button(s) / receiver(s) relays,
 - programming of operating mode,
 - programming of command interlocking functions,
 - programming of radiofrequency channel (on certain models),
 - programming of «standby function» time (on certain models),
 - programming of «radio power» (on certain models),
- compact, light-weight, watertight and sturdy transmitters and receivers.
- mechanical protection for buttons
- «on/off» button (on some models)

C O N T E N T S

Para.	Page
1- Description	p 1
2- Transmitter(s) and receiver(s) associations ...	p 3
3- Transmitter technical characteristics	p 4
4- Receiver technical characteristics	p 6
5- Accessories	p 8
6- Connection diagrams	p 9
7- Dimensions (mm)	p 10
8- Selection guide, references for ordering	p 11

- Compliance with European directives:
 - Radio equipment 2014/53/EU (low voltage, EM compatibility, radiofrequency spectrum)



E780K-0121

1- Description (cont.)

Operating reliability

Orion Series features designed to ensure operating reliability:

- ◆ A radio link that is non directional and insensitive to obstacles, thus enhancing the availability of the system.
- ◆ A momentary radio link to reduce the risks of interferences by other systems operating on the same band of frequencies.
- ◆ Individually coded transmitter+receiver sets (user programmable).
- ◆ A response time compatible with most of the equipment controlled.
- ◆ Possibility for electrical interlocking of conflicting commands (for example: up/down) by setting receiver outputs to «break» state (programmable by user).
- ◆ Hamming distance (minimum number of bits that differ between 2 messages that are different) of 4.
- ◆ An «on/stop command» function available with transmitters equipped with «on/off» button and receivers equipped with «on» relay. **It is necessary to ensure that the safety level of this product is acceptable for the risk level of the controlled equipment in the application, and if necessary, verify the presence of a wired emergency stop button on the equipment.**
- ◆ A receiver passive stop function in the event of radio jamming (for a duration of around 1 second) when a button on the transmitter is pressed and held.

Button/relay operating modes

There are three operating modes (programmable by user):

- ◆ **«Continuous make contact» mode:**
The receiver relay remains closed so long as the corresponding control button on the transmitter remains pressed.
- ◆ **«Continuous break contact» mode:**
The receiver relay remains open so long as the corresponding control button on the transmitter remains pressed.
- ◆ **«Bistable» mode:**
The receiver relay is closed the first time the corresponding control button on the transmitter is pressed, and opens on the second time the control button is pressed (or another corresponding button).

If a system is used in continuous mode with the control buttons maintained pressed and the operator moving about, transmission interruptions can occur due to the dispersion and propagation of radiowaves which must be taken into account in accordance with the application.

List of available radio channels

«ORION Series» Channel number	Frequency MHz
01	433,100
02	433,200
03	433,300
04	433,400
05	433,500
06	433,600

«ORION Series» Channel number	Frequency MHz
07	433,700
08	433,800
09	433,900
10	434,000
11	434,100
12	434,200

«ORION Series» Channel number	Frequency MHz
13	434,300
14	434,400
15	434,500
16	434,600
17	434,700
18	434,740

The transmitters and receivers are supplied programmed in their standard configuration on channel No. 17 (434.700 MHz).
The radio channel can only be modified with transmitters equipped with an «on/off» button.

Installation of other radio systems

To avoid any risk of extended radio jamming, be sure not to install or use, in the vicinity and at the same time, any other radio system with continuous transmissions in a frequency range representing +/- 100 KHz with respect to the product's operating frequency.

The distance between the interfering transmitter and the product will also impact the possibility of interference occurring. Be sure to keep the interfering transmitter as far away as possible from the product.

Operating with multi-receiver selection

It is possible to select the receiver you want to control with transmitter equipped with «on/off» button + 4 function buttons minimum .






Special features of transmitters equipped with «on/off» button

- The «on/off» button is used to switch on and off the transmitter, thus avoiding any unintentional actions on the function buttons.
- This button also controls the receiver «on» relay (depending on model), thus doubling the command interruption feature.
- Transmitters equipped with this button have three functions which can be configured by the user:
 - **«Standby» time delay function** : time programmable for 4 mn, 15 mn, 60 mn, 30 s (only with OREV and OREL with «on/off» button) or deactivation of function. If none of the buttons are pressed while the transmitter is on, it automatically shuts down at the end of the programmed time delay period. This causes the receiver relay to go to the «relaxed» state.
 - **Modification of radio working frequency:** The user can choose and program a frequency among 18 radio channels. Once the frequency has been selected, the transmitter automatically sends a frequency change command to the receiver.
 - **Changing the radio power (only with transmitter OREV):** The user can choose between 5 levels of transmitter radio power to adjust the radio power to limit or adapt the range in accordance with the application and the desired endurance.

2- Transmitter(s) and receiver(s) associations

All transmitter(s)/receiver(s) associations are possible by the user.






2.1- Association of 1 transmitter to 1 receiver, without «on/stop command» function:

Number of functions required	Transmitter		Receiver		
	 Industrial	 Multifunction	 DIN Rail	 Industrial small model	 Industrial large model
1	<input type="checkbox"/>	<input type="checkbox"/>	<input type="checkbox"/>	<input type="checkbox"/>	<input type="checkbox"/>
2	<input checked="" type="checkbox"/>	<input type="checkbox"/>	<input checked="" type="checkbox"/>	<input checked="" type="checkbox"/>	<input type="checkbox"/>
3	<input type="checkbox"/>	<input type="checkbox"/>	<input type="checkbox"/>	<input type="checkbox"/>	<input type="checkbox"/>
4	<input checked="" type="checkbox"/>	<input type="checkbox"/>		<input checked="" type="checkbox"/>	<input type="checkbox"/>
5		<input type="checkbox"/>			<input type="checkbox"/>
6		<input type="checkbox"/>			<input type="checkbox"/>
7		<input type="checkbox"/>			<input type="checkbox"/>
8		<input checked="" type="checkbox"/>			<input checked="" type="checkbox"/>
9		<input type="checkbox"/>			<input type="checkbox"/>
10		<input type="checkbox"/>			<input type="checkbox"/>
11		<input type="checkbox"/>			<input type="checkbox"/>
12		<input type="checkbox"/>			<input type="checkbox"/>
13		<input type="checkbox"/>			<input type="checkbox"/>
14		<input type="checkbox"/>			<input type="checkbox"/>
15		<input type="checkbox"/>			<input type="checkbox"/>
16		<input checked="" type="checkbox"/>			<input checked="" type="checkbox"/>

= Possible association

= Optimum association of number of buttons on transmitter and number of relays available in receiver.

2.2- Association of 1 transmitter to 1 receiver, with «on/stop command» function:

Number of functions required	Transmitter		Receiver		
	 Industrial	 Multifunction	 DIN Rail	 Industrial small model	 Industrial large model
1 + «on/stop command»	<input type="checkbox"/>	<input type="checkbox"/>	<input type="checkbox"/>	<input type="checkbox"/>	<input type="checkbox"/>
2 + «on/stop command»	<input checked="" type="checkbox"/>	<input type="checkbox"/>	<input checked="" type="checkbox"/>	<input type="checkbox"/>	<input type="checkbox"/>
3 + «on/stop command»	<input type="checkbox"/>	<input type="checkbox"/>		<input type="checkbox"/>	<input type="checkbox"/>
4 + «on/stop command»	<input checked="" type="checkbox"/>	<input checked="" type="checkbox"/>		<input checked="" type="checkbox"/>	<input type="checkbox"/>
5 + «on/stop command»		<input type="checkbox"/>			<input type="checkbox"/>
6 + «on/stop command»		<input type="checkbox"/>			<input type="checkbox"/>
7 + «on/stop command»		<input type="checkbox"/>			<input type="checkbox"/>
8 + «on/stop command»		<input checked="" type="checkbox"/>			<input checked="" type="checkbox"/>
9 + «on/stop command»		<input type="checkbox"/>			<input type="checkbox"/>
10 + «on/stop command»		<input type="checkbox"/>			<input type="checkbox"/>
11 + «on/stop command»		<input type="checkbox"/>			<input type="checkbox"/>
12 + «on/stop command»		<input type="checkbox"/>			<input type="checkbox"/>
13 + «on/stop command»		<input type="checkbox"/>			<input type="checkbox"/>
14 + «on/stop command»		<input type="checkbox"/>			<input type="checkbox"/>
15 + «on/stop command»		<input type="checkbox"/>			<input type="checkbox"/>
16 + «on/stop command»		<input checked="" type="checkbox"/>			<input checked="" type="checkbox"/>

= Possible association

= Optimum association of number of buttons on transmitter and number of relays available in receiver.

2.3- Association of N transmitter(s) to M receivers:

Any number of transmitters ORR can be associated to any number of receivers ORR depending on the needs of the application. Each relay in the ORR receivers can be associated independently to any button of a transmitter by a simple «learning» procedure.

3- Transmitter technical characteristics

3.1- Characteristics common to 2 transmitter versions (industrial and multifunction)



Operating mode	Simultaneous commands
Transmission module ⁽¹⁾	18 frequencies per device
Transmission frequency ⁽¹⁾	UHF 433,100 MHz to 434,740 MHz
Transmission power ⁽¹⁾	< 1 mW (license not required) built-in antenna 5 adjustable power levels are available on transmitter OREV
Average range ⁽²⁾	150 m in unobstructed area 50 m in typical industrial environment (possibility of increasing or limiting the radio range on OREV transmitter: 5 adjustable power levels)
Modulation	FM
Radio link	Momentary (when command button pressed)
Identity code	4096 codes programmable by microswitches + internal button on transmitters OREV and OREL
Operating temperature range	-20° C to + 50° C
Storage temperature range	-30° C to + 70° C
Battery or accumulator charge level indication	2 indication levels by a red indicator light: Red ind. light off = batteries or accumulators charge is > 10% Red ind. light flashes fast = batteries must be replaced or accumulators must be recharged.
Other indication	Model without «on/off» button: a green indicator light comes on and flashes while the function button is pressed. Model with «on/off» button: a green indicator light comes on and flashes when the transmitter keypad is active.
Fastening	- Carrying clip (optional accessory, see chapter 8) - Fixation support (optional accessory, see chapter 8)

(1) = Supplied programmed on channel No. 17 in standard configuration.

REMINDER: The transmitters radio channel can only be changed on transmitters equipped with an «on/off» button.

(2) = The range varies according to environment conditions, the position of reception antenna and transmitter orientation (the range is decreased in case of metal obstacles such as: metal frameworks, walls etc.)

3.2- Characteristics specific to each version

	 Industrial OREV	 Multifunction OREL
Housing	ABS	ABS
Housing color	Yellow	Yellow
Degree of protection	IP65	IP65
Weight (with batteries or accumulators)	105 g	160 g
Number of command buttons	2 or 4	4, 6, 8, 12 or 16
Power supply	2 x 1,5 V batteries type AAA ⁽³⁾	3 x 1,5 V batteries (type AAA) or 3 x accumulators (type AAA) ⁽⁴⁾
Autonomy	1 year (for a typical use of 50 times per day with impulses of 5 seconds)	When supplied with batteries: same time industrials transmitters When supplied with accumulators: 42h for 50 % use time
Charging time (if supplied with accumulators)		< 3 h
Charging temperature range (if supplied with accumulators)		0°C to +40°C
Safety	1 «on/off» button (depending on model)	1 «on/off» button (depending on model)
Mechanical protection	Built-in protected foam	Protective foam, reference: OWE30 (optional accessory)
Storage	Case, reference: OWE15 (optional accessory, see chapter 8)	Case, reference: UBWE34 (optional accessory, see chapter 8)

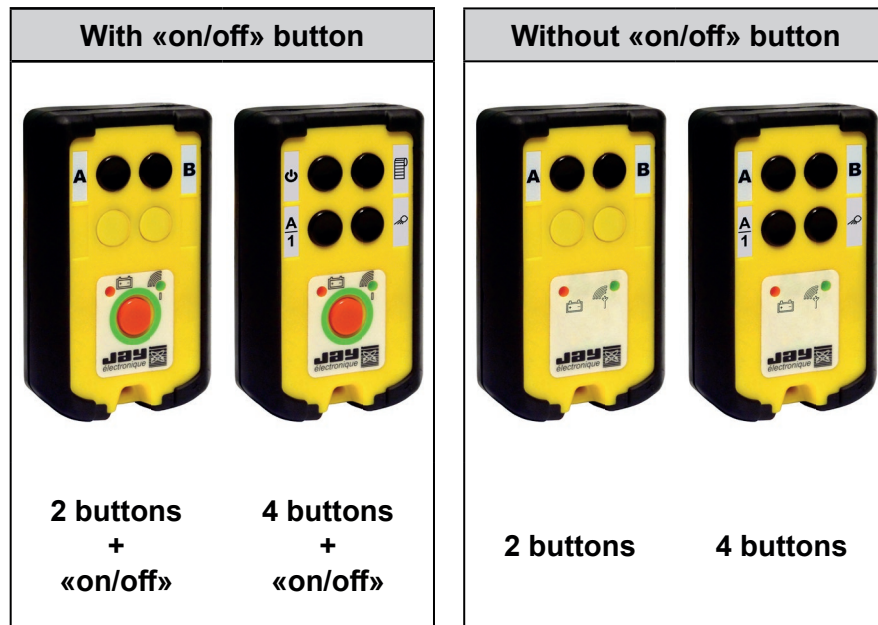
(3) = Supplied with 2 AAA batteries.

(4) = Supplied with 3 AAA batteries; can be used with 3 AAA accumulators.

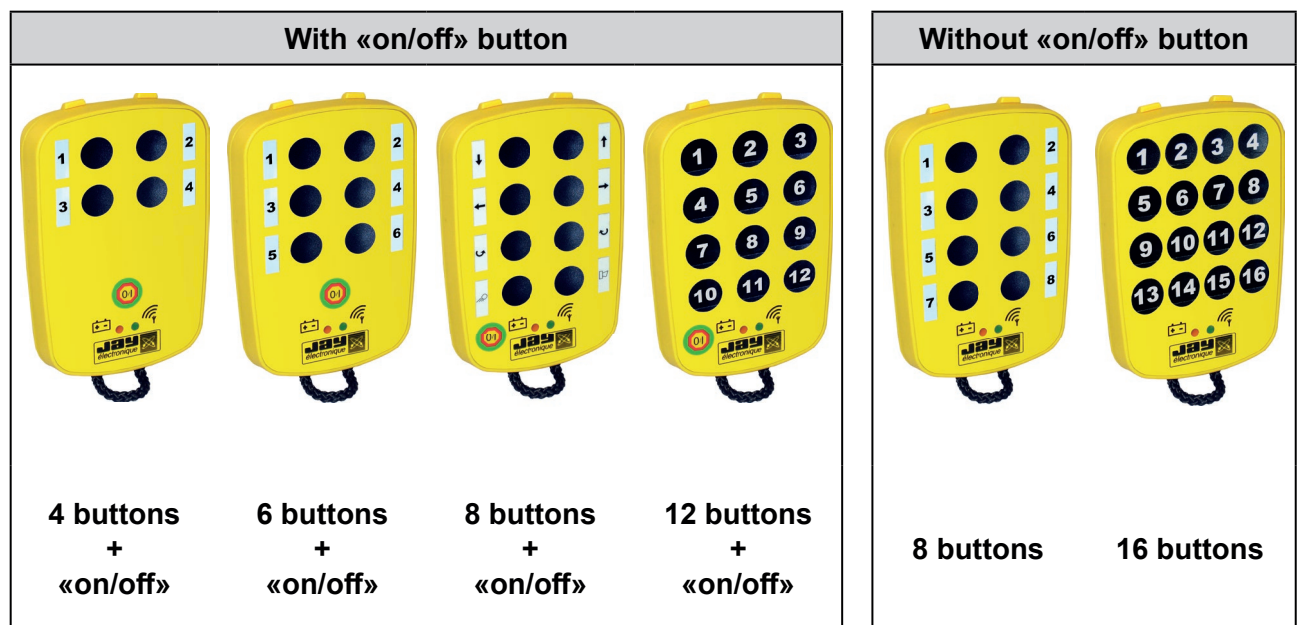
These transmitters, when equipped with AAA accumulators, can be recharged directly on an **ORCL**• charger support. The charger support must be ordered separately.

3.3- Product ranges

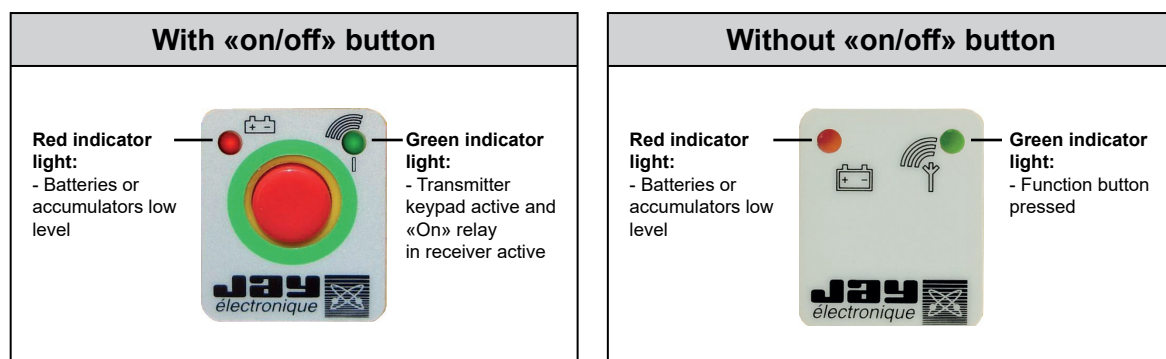
«Industrial» models (OREV):



«Multifonction» models (OREL):



3.4- Indicator light functions



4- Receiver technical characteristics




4.1- Characteristics common to 3 receiver versions (DIN rail, small and large industrial model)

Operating temperature range	-20°C to +50°C
Storage temperature range	-30°C to +70°C
Tuner (1)	UHF 433,100 MHz to 434,740 MHz
Sensitivity	< 2µV
Identity code	By a «learning» procedure, the receiver relays can memorize the identity codes of the associated transmitters
Protection of power supply	<ul style="list-style-type: none"> • Against overcurrents : 1 fuse on phase (ORRS and ORRA). • Against polarity inversions in the case of 12 Vdc power supply
Outputs	<p>Type of command by relay with 1 NO contact (1 NC or bistable contact possible by programming)</p> <p>min. / max. current 10 mA / 8A (50 mA recommended)</p> <p>max. voltage 250 Vac</p> <p>response time 50 ms</p> <p>Switching category DC13 at 0,5 A / 24 Vdc - AC15 at 3 A / 250 Vac</p>
Operating mode	Continuous or bistable (by programming jumper or microswitch)
Interlocking	Programmable by jumper or microswitch
Additional function	1 «on» relay (controlled by transmitter «on/off» button - depending on transmitter model)

(1) = Supplied programmed on channel No. 17 in standard configuration.

REMINDER: The transmitters radio channel can only be changed on the Orion transmitters equipped with an «on/off» button.

4.2- Characteristics specific to each version

	 DIN Rail ORRD	 Industrial small model ORRS	 Industrial large model ORRA
Housing material	PC-GF	ABS	ABS
Housing color	Grey	Yellow	Grey
Degree of protection	IP 20	IP 65	IP 65
Number of command outputs	3 or 2+1 (2)	2 or 4+1 (2)	8+1 (2) or 16+1 (2)
Maximum weight	220 g	350 g	1200 g
Maximum number of transmitter function buttons (3) being able to be learned by a function relay	10	10	4
Number of relay outputs simultaneously controllable	3 function relays or 2 function relays + 1 «On» relay	ORRS21**** model 2 function relays ORRS42**** model 4 function relays or 3 function relays + 1 «On» relay	All models 9 function relays or 8 function relays + 1 «On» relay
Power supply		ORRS****F model 12 Vdc (9 to 20 Vdc) 24 Vdc (20 to 75 Vdc) 24 Vac (+10%/-15%) 48 Vac (+10%/-15%) ORRS****T model 115 Vac (+10%/-15%) ORRS****U model 230 Vac (+10%/-15%)	ORRA****4 model 12 Vdc (9 to 20 Vdc) 24 Vdc (20 to 28 Vdc) ORRA****A model 24 Vac (+10%/-15%) 48 Vac (+10%/-15%) ORRA****B model 115 Vac (+10%/-15%) 230 Vac (+10%/-15%)
Voltage	12 Vdc (-25%/+25%) 24 Vdc (-10%/+30%) 24 Vac (+10%/-15%)		
Max. consumption	75 mA for dc / 3,5 VA for ac	180 mA for dc / 5 VA for ac	260 mA for dc / 11 VA for ac
Min. consumption	320 mW for 12/24 Vdc	23 mA for 12 Vdc / 350 mW for 24 Vdc	23 mA for 12 Vdc / 350 mW for 24 Vdc
Mounting	Snap-on fastener on symmetrical DIN rail EN 50 022	2 holes M4 exterior	4 holes M4 interior
Cable entry		1 plastic cable gland: PG 13,5 cable (ø 8 to 12 mm)	1 plastic cover: PG M16 (ø 5 to 7 mm) 1 plastic cable gland: PG M32 (ø 20 to 26 mm)
Connection to equipment	By spring terminal junction blocks (for cable 2,5 mm ²)		
Indications			
Power supply	1 green indicator light	1 green indicator light	1 green indicator light
Radio reception	1 yellow indicator light	1 green indicator light	1 green indicator light
«Programming» mode	1 red indicator light	1 red indicator light	1 red indicator light
Per relay output	no indication	1 red indicator light	1 red indicator light
Antenna	External by BNC plug	1/2 wave fixed antenna (4) or internal (5)	1/2 wave fixed antenna (4) or internal (5)
Recommended antenna(s) if BNC plug (4), installation type:			
Inside confined enclosure, metallic	Use remote antenna: VUA1***H, M or V		
Other cases	ORRA and ORRS: VUA002A, VUA1***H, M or V ORRD: VUA1***H, M or V		

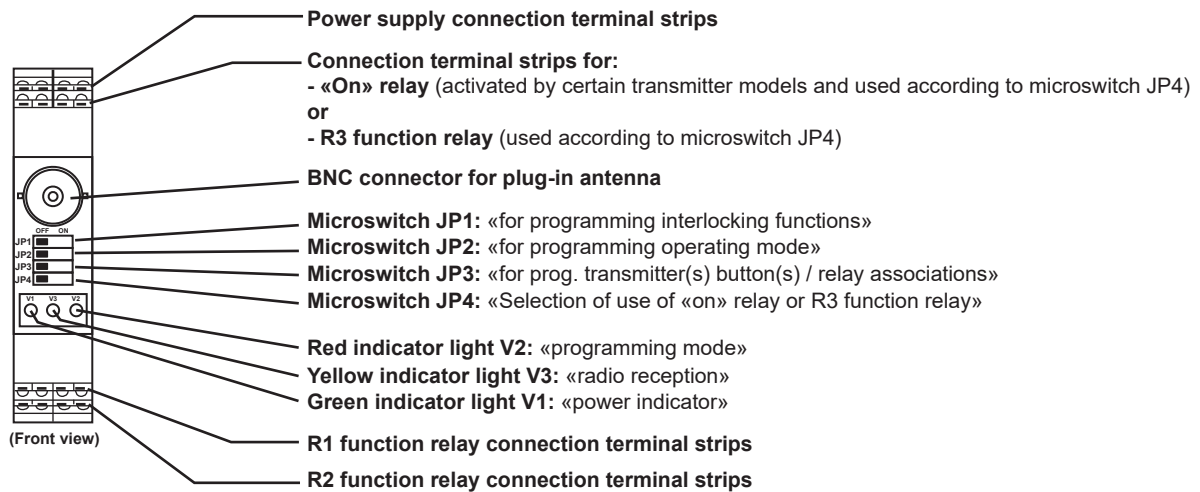
(2) = «on» relay (relay activated by transmitter models having a «on/off» button)

(3) = Different transmitter button numbers and/or different transmitter identity codes

(4) = Plug-in feature possible by BNC plug on industrial receivers, with kit **OWR01**

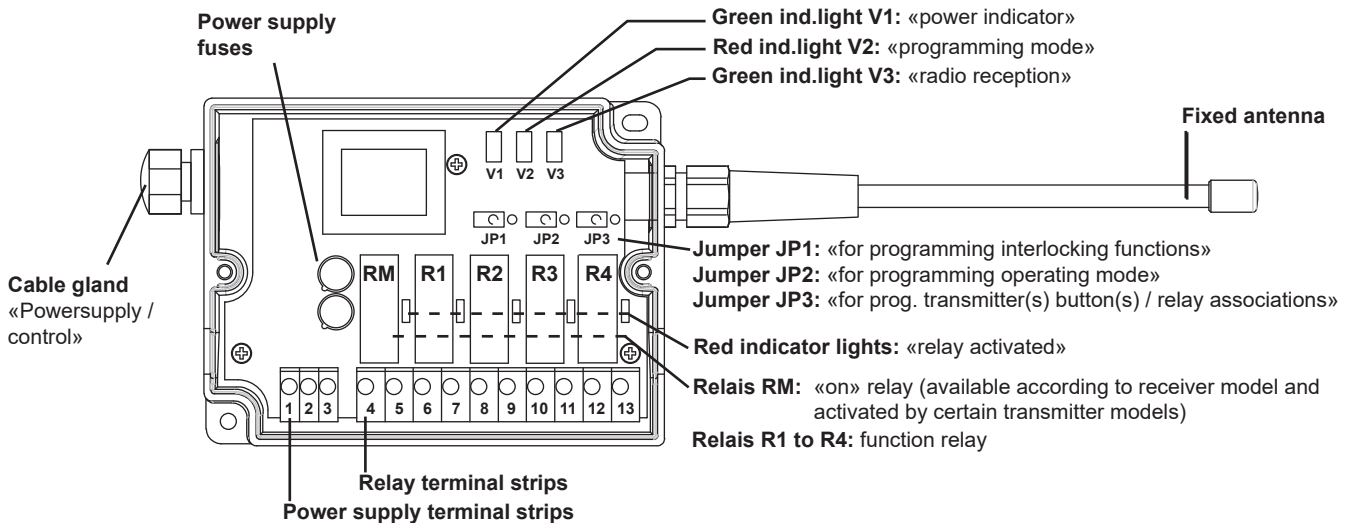
(5) = Antenna integration possible in industrial receiver housings, with kit **OWR03** (delivered with the receivers). Beware, the range is divided by 2 in this case.

«DIN rail» version (ORRD)



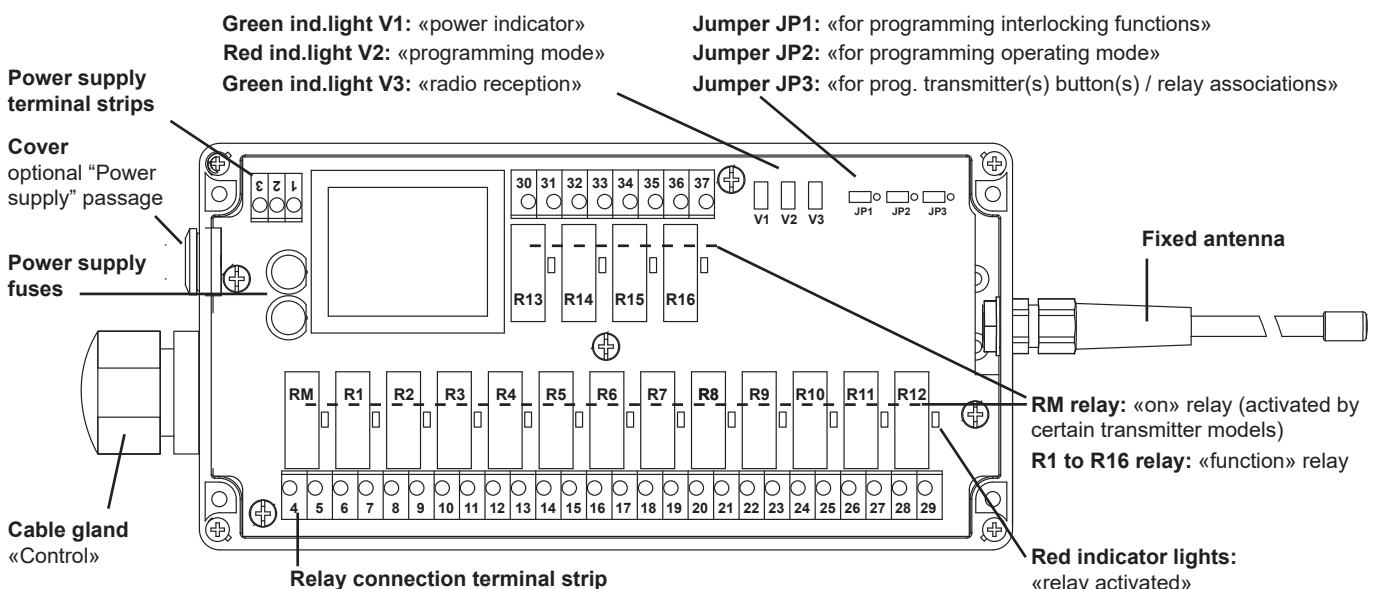
«Industrial small model» version (ORRS)

(i.e.: ORRS42L1U model below)



«Industrial large model» version (ORRA)

(i.e.: ORRAH2L1U model below)



5- Transmitter technical characteristics

5.1 Technical characteristics of charger support units (for multifunction transmitters with accumulators)

Power supply	12/24 Vdc or 230 Vac
Degree of protection	IP 20
Weight	400 g max.
Output	Voltage 9 Vdc Max. current 300 mA
Storage temperature range	-30°C to +70°C
Charging temperature range	0°C to +40°C
Length of adapter cable / connector for multifunction transmitter	1,70 m

Charger support
12-24 Vdc / 9 Vdc version
(vehicle plug)
Supplied with 3 accumulators



~ 1,70 m

reference: **ORCL1**

Charger support
230 Vac / 9 Vdc version (EU, UK and US plugs)
Supplied with 3 accumulators



reference: **ORCLU**



5.2 Orion transmitter function button labels

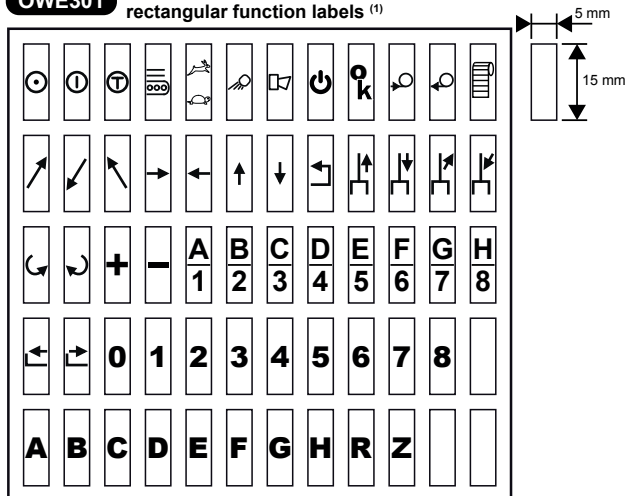
The various button functions are identified by means of adhesive labels placed in the recesses provided in the transmitter housing at each button location.

The labels are supplied in the form of sheets with the various labels you will need for your application. Simply choose the labels corresponding to your configuration.

Label sheet for industrial transmitters (all models) and multifunction transmitters (for 4, 6 and 8 button models).

Reference :

OWE301 Sheet with 60 black/white rectangular function labels ⁽¹⁾



Label sheet for multifunction (12 or 16 buttons) transmitters

Reference :

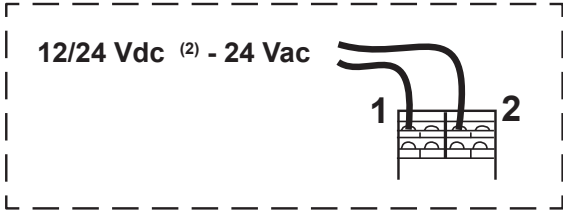
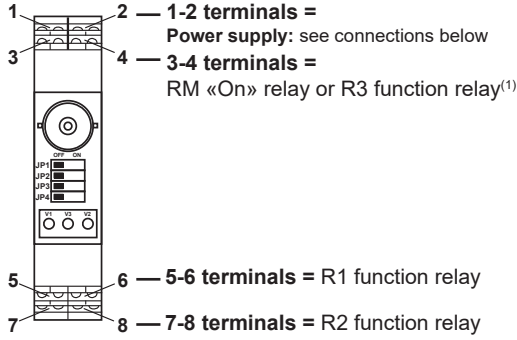
OWE403 Sheet with 96 black/white round labels ⁽¹⁾



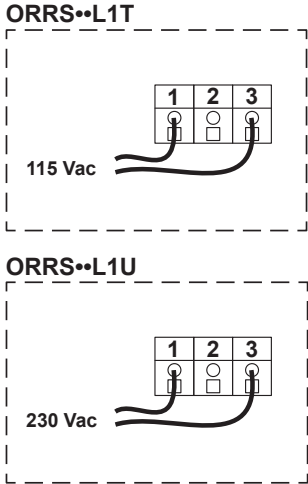
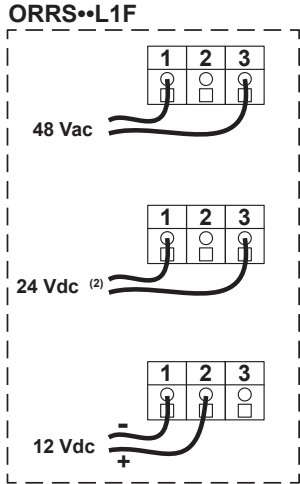
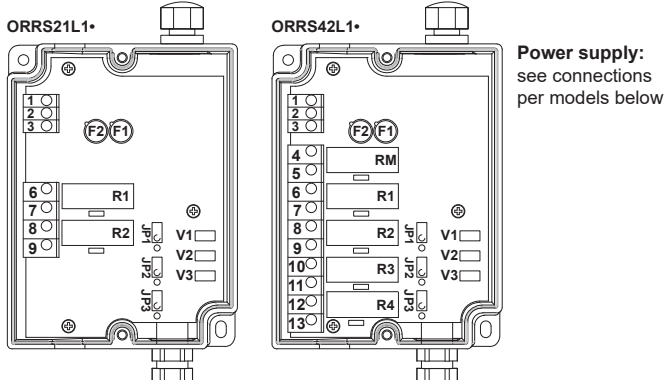
(1) = 1 kit is supplied with the corresponding transmitter.

6- Connection diagrams

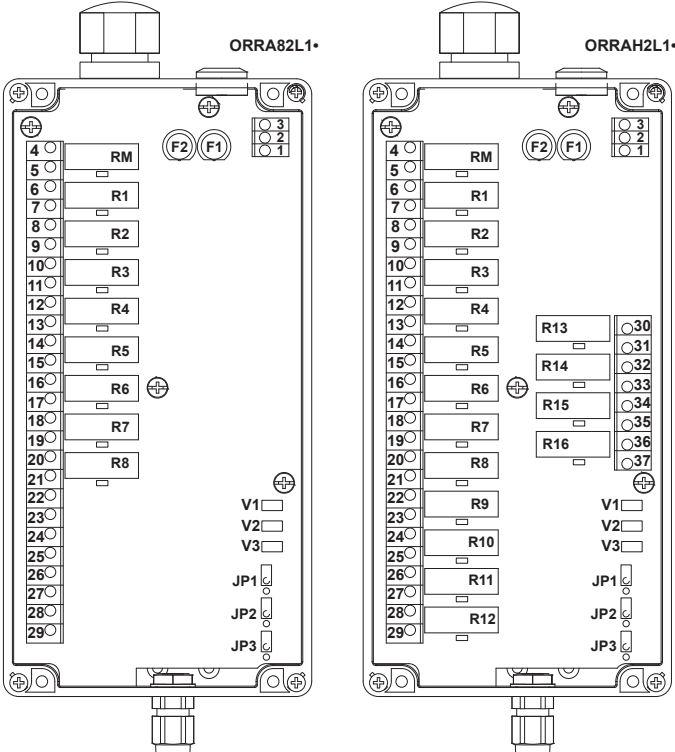
6.1 Connection diagram for DIN rail receiver model - ORRD



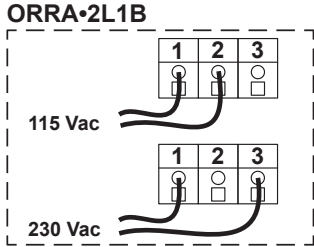
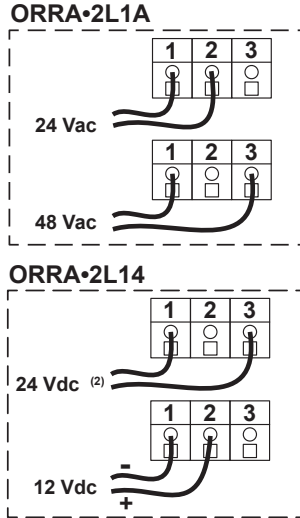
6.2 Connection diagram for Industrial receiver, small model - ORRS



6.3 Connection diagram for Industrial receiver, large model - ORRA



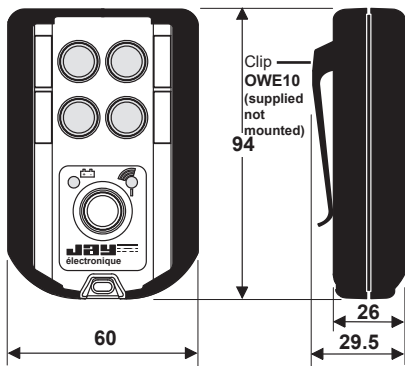
Power supply: see connections per models below



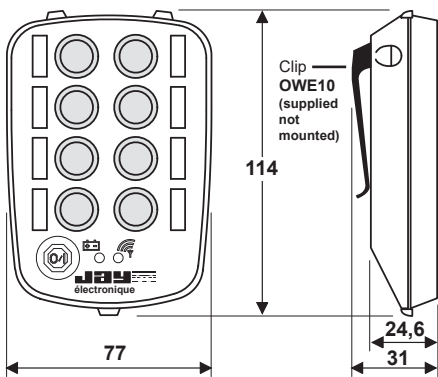
(1) = The relay function can be selected by microswitch
 (2) = No polarity to be respected

7- Dimensions (mm)

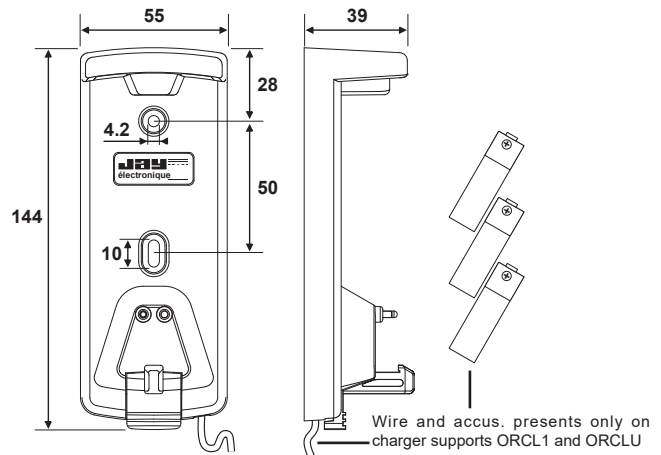
7.1 Industrial transmitters OREV



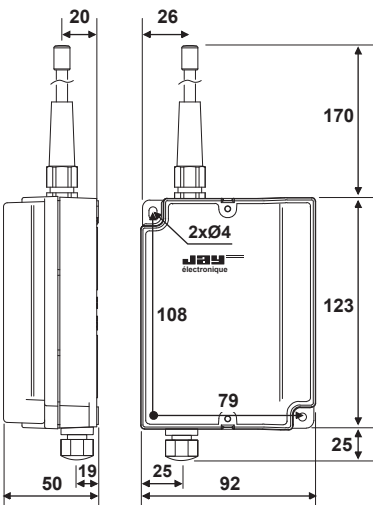
7.2 Multifunction transmitters OREL



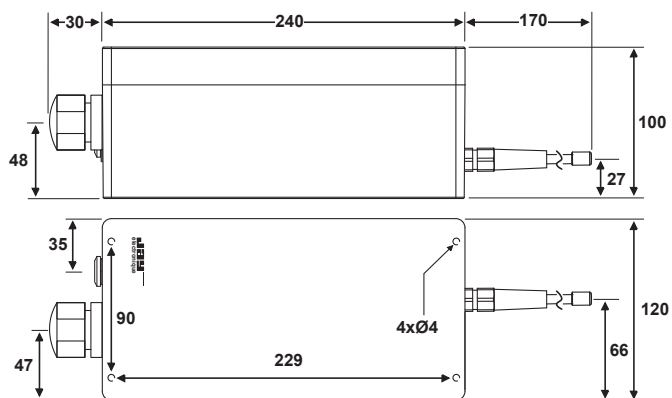
7.3 Wall supports ORCL Charger supports ORCL•



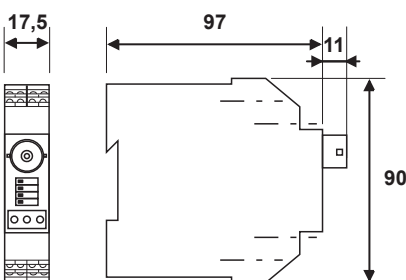
7.4 Industrial receivers «small model» ORRS



7.5 Industrial receivers «large model» ORRA

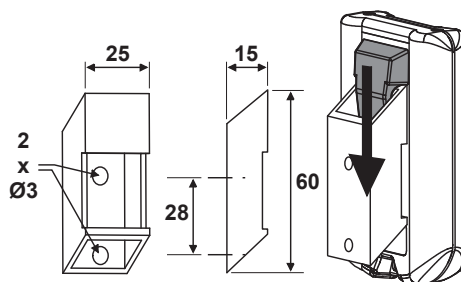


7.6 Receiver on DIN rail ORRD



7.7 Accessories











Mounting bracket OWE01



Plug-in antennas
(for receiver **ORRD** on DIN rail
or for industrial receivers with kit
ref.: **OWR01**), see chapter 8.2.1

8- Selection guide, references for ordering

8.1 Orion transmitters ⁽¹⁾

	Industrial ⁽²⁾		Industrial ⁽²⁾ + «on/off» button		Multifunction ⁽³⁾		Multifunction ⁽³⁾ + «on/off» button	
2		OREV21SL1		OREV22SL1				
4		OREV41SL1		OREV42SL1				OREL42SL1
6								OREL62SL1
8						OREL81SL1		OREL82SL1
12								ORELD2SL1
16						ORELH1SL1		

(1) = Supplied programmed on channel No. 17 in standard configuration.

REMINDER: The transmitters radio channel can only be changed on the ORE transmitters equipped with an «on/off» button.

(2) = Supplied with 2 AAA batteries.

(3) = Supplied with 3 AAA batteries; can be used with 3 AAA accumulators.

These transmitters, when equipped with AAA accumulators, can be recharged directly on an **ORCL•** charger support. The charger support must be ordered separately.

8.1.1 Accessories for Orion transmitters

Wall brackets and charger support units





Reference	Designation
OWE01	Mounting support for industrial and multifunction transmitters equipped with carrying clip
ORCL	Mounting support for multifunction transmitter
ORCL1	12-24 Vdc (vehicle connector) / 9 Vdc charger support unit + 3 accumulators AAA type, for multifunction transmitters (OREL) with accumulators
ORCLU	230 Vac / 9 Vdc charger support unit + 3 accumulators AAA type (EU, UK and US plugs), for multifunction transmitters (OREL) with accumulators

Label sheets for function buttons

Reference	Designation
OWE301	60 black/white rectangular function labels for industrial and multifunction transmitters (4, 6 or 8 buttons) ⁽⁴⁾
OWE403	96 black/white round labels for multifunction transmitters (12 or 16 buttons) ⁽⁴⁾

(4) = 1 kit is supplied with the corresponding transmitter.








Miscellaneous accessories

Reference	Designation	Picture
OWE10	Carrying clip (on support ref.: OWE01, belt, pocket...) ⁽⁵⁾	see chapter 7.1
OWE20	Neck strap	
OWE15	Case for industrial transmitter (OREV) Leather and equipped with a carrying clip.	
OWE30	Protective foam for multifunction transmitter (OREL)	
UBWE34	Case for multifunction transmitter (OREL), equipped with a carrying clip.	

(5) = 1 clip (not mounted) is supplied with transmitters.

8- Selection guide, references for ordering (cont.)

8.2 Orion receivers ⁽¹⁾

	Receiver model and type of power supply						
	DIN Rail 12 Vdc 24 Vdc 24 Vac	Industrial small model 12 Vdc 24 Vdc 48 Vac	Industrial small model 115 Vac	Industrial small model 230 Vac	Industrial large model 12 Vdc 24 Vdc	Industrial large model 24 Vac 48 Vac	Industrial large model 115 Vac 230 Vac
							
2		ORRS21L1F	ORRS21L1T	ORRS21L1U			
2+1 ⁽²⁾	ORRD22L1C						
3							
4+1 ⁽²⁾		ORRS42L1F	ORRS42L1T	ORRS42L1U			
8+1 ⁽²⁾					ORRA82L14	ORRA82L1A	ORRA82L1B
16+1 ⁽²⁾					ORRAH2L14	ORRAH2L1A	ORRAH2L1B

(1) = Supplied programmed on channel No. 17 in standard configuration.





REMINDER: The transmitters radio channel can only be changed on the ORE transmitters equipped with an «on/off» button.

(2) = «on» relay

8.2.1 Accessories for Orion receivers

Reference	Designation
OWR01	BNC plug-in antenna kit for receivers ORRA and ORRS ⁽³⁾
OWR03	Internal antenna kit for receivers ORRA and ORRS ⁽⁴⁾
OWR38	Fastening Kit for ORRS receiver by 2 magnetic contacts (installation on metal surface)
UDWR38	Fastening Kit for ORRA receiver by 4 magnetic contacts (installation on metal surface)
VUB060	90° BNC elbow for BNC antennas ^{(3) (6)}

Antennas ⁽⁵⁾

Reference	Designation	Picture
VUA002A	Straight antenna, 1/2 wave, BNC	 approximate length = 335 mm
VUA100AH	Through insulated remote antenna, 1/2 wave, with 0,5 m BNC cable	 approximate length = 320 mm
VUA102AH	Through insulated remote antenna, 1/2 wave, with 2 m BNC cable	
VUA105AH	Through insulated remote antenna, 1/2 wave, with 5 m BNC cable	
VUA110AH	Through insulated remote antenna, 1/2 wave, with 10 m BNC cable	
VUA103AM	Insulated and magnetic remote antenna, 1/2 wave, with 3 m BNC cable	 approximate length = 440 mm (antenna to be mounted on a not grounded metal surface)
VUA105AM	Insulated and magnetic remote antenna, 1/2 wave, with 5 m BNC cable	
VUA103AV	Through uninsulated remote antenna, 1/4 wave, with 3 m BNC cable	 approximate length = 180 mm
VUA105AV	Through uninsulated remote antenna, 1/4 wave, with 5 m BNC cable	

(3) = BNC antenna and BNC extension to be ordered separately.

(4) = 1 kit is supplied with industrial receivers.

(5) = Except for the DIN rail model which comes with a BNC antenna connector as a standard feature, the other receiver models require the plug-in antenna kit Ref.: **OWR01** for use of an antenna or a plug-in antenna extension.

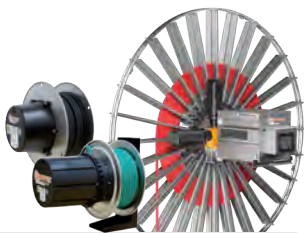
(6) = Not suitable for direct connection to antenna Ref.: **VUA002A**; in this case, use a remote antenna.

The products presented in this document are subject to change. Product descriptions and characteristics are not contractually binding. Please go to our website www.jay-electronique.com to download the most recent updates to our documentation.

E780K-0121

Your Applications – our Solutions

The solutions we deliver for your applications are based on your specific requirements. In many cases, a combination of several different Conductix-Wampfler systems can prove advantageous. You can count on Conductix-Wampfler for hands-on engineering support together with the optimum solution to safely meet your needs.



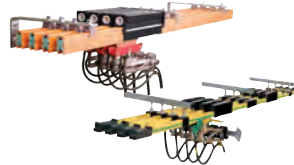
Cable and Hose Reels

Motor driven and spring driven reels by Conductix-Wampfler provide energy, data and media over a variety of distances, in all directions, fast and safe.



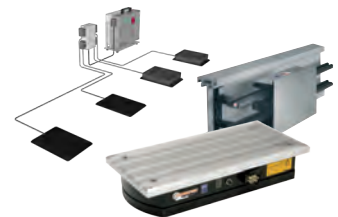
Festoon Systems

Conductix-Wampfler cable trolleys can be used in virtually every industrial application. They are reliable, robust and available in an enormous variety of dimensions and designs.



Conductor rails

Available as enclosed or multiple unipole systems, Conductix-Wampfler conductor rails reliably move people and material.



Inductive Power Transfer IPT®

The no-contact system for transferring energy and data. For all tasks that depend on high speeds and absolute resistance to wear. Flexible installation when used with Automated Guided Vehicles.



Energy guiding chains

Covering a wide range, energy guiding chains are the ideal solution for transferring energy, data, air and fluids for many industrial applications.



Radio Remote Controls

Safety remote control solutions customized to meet our customer needs with modern ergonomic design.



Reels, retractors and balancers

Available for hoses and cables, as classical reels or high-precision positioning aids for tools, we offer a complete range of reels and spring balancers.



Jib booms

Complete with tool transporters, reels or an entire media supply system – safety and flexibility are key to the completion of difficult tasks.



Non-insulated conductor rails

Robust, non-insulated aluminum conductor rails with stainless steel cap provide the ideal basis for power supply of people movers and transit networks.



Slip ring assemblies

Whenever things are really “moving in circles”, the proven slip ring assemblies by Conductix-Wampfler ensure the flawless transfer of energy and data. Here, everything revolves around flexibility and reliability!



Mobile Control Systems

Mobile control solutions for your plant – whether straightforward or intricate. Control and communication systems from LJU have been tried and tested in the automotive industry for decades.



ProfIDAT

This data transfer system is a compact slotted waveguide and furthermore can be used as Grounding rail (PE) as well as positioning rail at the same time.

www.conductix.com

Conductix-Wampfler

has just one critical mission:
To provide you with energy and
data transmission systems that
will keep your operations up
and running 24/7/365.

To contact your nearest
sales office, please refer to:

**[www.conductix.com/en/
contact-search](http://www.conductix.com/en/contact-search)**

